



BLENDER

SAFETY INFORMATION3

PARTS INCLUDED4

GETTING STARTED6

USING THE BLENDER6

CARE AND CLEANING7

LIMITED WARRANTY9

CONSUMER SUPPORT10

OWNER'S MANUAL

- G8BJAASSPSS
- G8BCAASSPSS
- G8BAAASSRSS

ENGLISH/FRANÇAIS

Write the model and serial numbers here:

Model # _____

Serial # _____

Find these numbers on a label on the back of the unit.

THANK YOU FOR MAKING GE APPLIANCES A PART OF YOUR HOME.

Whether you grew up with GE Appliances, or this is your first, we're happy to have you in the family.

We take pride in the craftsmanship, innovation and design that goes into every GE Appliances product, and we think you will too. Among other things, registration of your appliance ensures that we can deliver important product information and warranty details when you need them.



IMPORTANT SAFEGUARDS

READ ALL INSTRUCTIONS BEFORE USING THE APPLIANCE

▲WARNING For your safety, the information in this manual and following safety precautions must be followed to reduce the risk of fire, electric shock or injury.

- ▲WARNING** When using electrical appliances, follow basic safety precautions, including the following.
- To protect against electrical shock, do not submerge the appliance or allow the power cord to come into contact with water or any other liquid.
 - This appliance is not intended for use by persons (including children) with reduced physical, sensory, or mental capabilities, or lack of experience and knowledge, unless they are closely supervised and instructed concerning use of the appliance by a person responsible for their safety. Close supervision is necessary when any appliance is used by or near children. Children should be supervised to ensure that they do not play with the appliance
 - Turn the appliance OFF, then unplug from outlet when not in use, before putting on or taking off parts and before cleaning. Avoid inadvertent contact with blades or moving parts.
 - To unplug, grasp the plug and pull from the outlet. Never pull from the power cord.
 - Avoid contacting moving parts
 - DO NOT operate any appliance with a damaged cord or plug, or after the appliance malfunctions, has been dropped or damaged in any manner. Contact the manufacturer at their customer service telephone number for information on examination, repair, or adjustment.
 - The use of attachments or accessories including canning jars, not recommended by the manufacturer may result in fire, electric shock or personal injury.
 - Do not use outdoors.
 - Do not let cord hang over edge of table or counter.
 - Do not let cord contact hot surface, including the stove.
 - Keep hands, hair, clothing, and utensils out of container while blending to reduce the risk of severe injury to persons or damage to the blender. A scraper may be used but only when the appliance is not running.
 - The cutting blades are very sharp. Handle carefully.
 - To reduce the risk of injury, never place cutter-assembly blades on base without jar properly attached.
 - Always operate blender with cover in place.
 - To reduce the risk of injury, NEVER operate the appliance without the lid in place; DO NOT try to defeat the interlock mechanism; make sure that the attachment is properly installed before operating the appliance.
 - Do not blend hot liquids in go-cups, doing so may cause excessive pressure build-up, resulting in risk of the user being burned.
 - When blending hot liquids in pitcher remove center piece of two-piece cover. Not doing so may cause excessive pressure build-up, resulting in risk of the user being burned.
 - When blending hot liquids in the pitcher. Do not fill container past the 4 cups marker. Always begin processing on the lowest speed setting. Keep hands and exposed skin away from the center lid opening to prevent possible burns from any liquid or steam that may exit the opening while blending.
 - Never leave an appliance unattended when in use.
 - Appliance accessories are not intended to be used in the microwave as it may result in damage to the accessories.
 - DO NOT abuse the power cord. Never carry the appliance by the power cord or yank it to disconnect from electrical outlet; instead grasp the plug and pull to disconnect.
 - DO NOT attempt to sharpen blades.
 - DO NOT use the appliance if blade assemblies are bent or damaged.
 - DO NOT operate this appliance on or near any hot surfaces (such as gas or electric burner or in a heated oven).
 - DO NOT remove the container from the motor base while the appliance is in operation.
 - DO NOT expose containers to extreme temperature changes.
 - DO NOT overfill.
 - THIS PRODUCT IS INTENDED FOR HOUSEHOLD USE ONLY. Do not use this appliance for anything other than its intended use.
 - To reduce the risk of electric shock, this appliance has a polarized plug (one blade is wider than the other). This plug will fit into a polarized outlet only one way. If the plug does not fit fully into the outlet, reverse the plug. If it still does not fit, contact a qualified electrician to install the proper outlet. DO NOT modify the plug in any way.
 - Extension cords are not recommended for use with this product.
 - Never place go-cup blade attachment on blender without the go-cup.

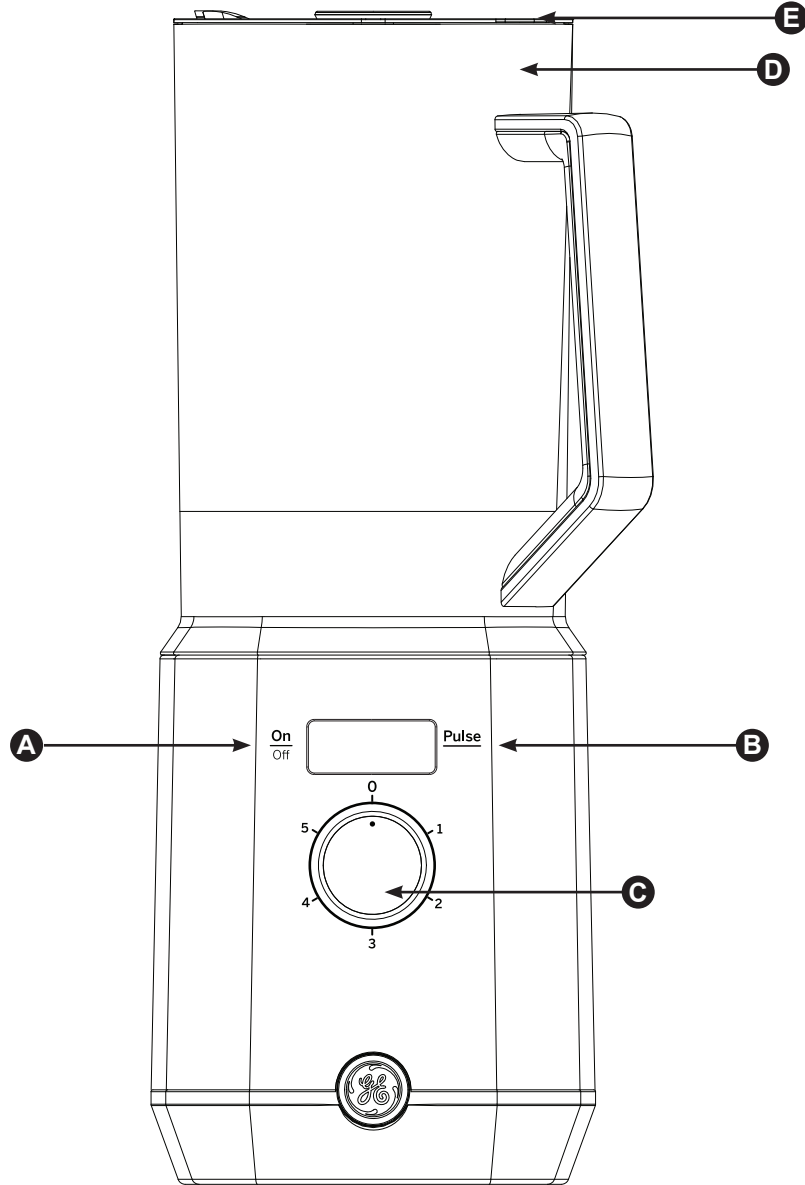
▲WARNING  **RISK OF FIRE OR ELECTRIC SHOCK**

- TO REDUCE THE RISK OF FIRE OR ELECTRIC SHOCK, DO NOT REMOVE COVER (OR BACK).
- Do not attempt to repair or replace any part of your blender unless it is specifically recommended in this manual. All other servicing should be performed by authorized service personnel.

SAVE THESE INSTRUCTIONS

Parts Included

NOTE: Only included with model G8BJAASSPSS



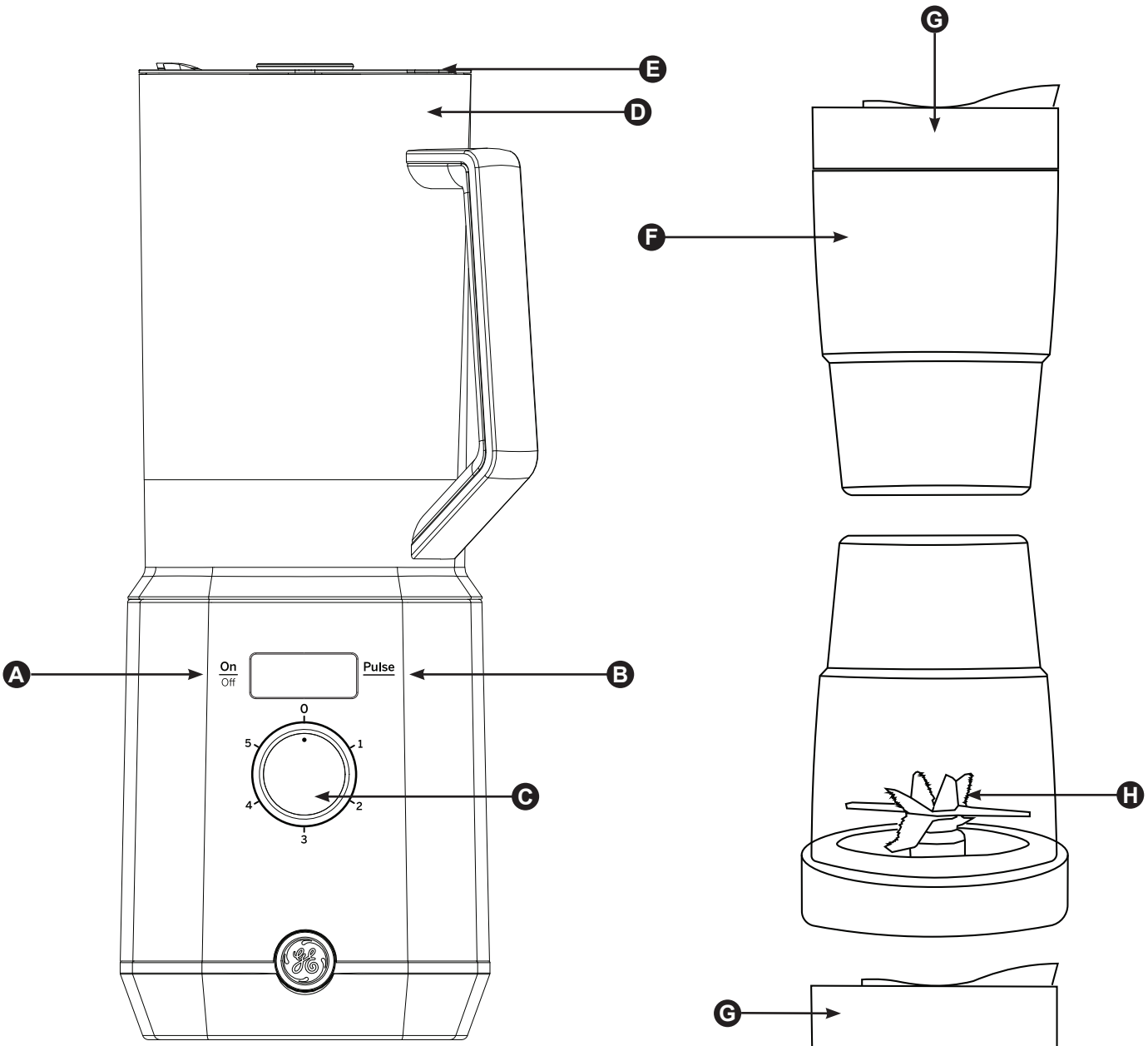
- A** On / Off Button
- B** Pulse Button
- C** Control Knob

- D** Blender Pitcher
- E** Two-Piece Cover/Lid

Parts Included

NOTE: Only included with Models G8BAAASSRSS and G8BCAASSPSS

NOTE: Appearance may vary slightly by model



- A** On / Off Button
- B** Pulse Button
- C** Control Knob
- D** Blender Pitcher

- E** Two-Piece Cover/Lid
- F** Blender go-cup
- G** Blender go-cup lid
- H** Blender go-cup blade attachment

Getting Started

Before First Use

Read the Important Safeguards on page 3.

⚠ WARNING

- Do not immerse the motor base into water or any other liquid.
- Handle with care when washing, as the blades are sharp.
- DO NOT attempt to operate the appliance without the lid on.
- Appliance accessories are not intended to be used in the microwave as it may result in damage to the accessories.

IMPORTANT: Make sure that the motor base is plugged in for use.

IMPORTANT: Never run the appliance empty.

1. Remove all packaging material and labels from the appliance. Separate/remove all parts from each other.
2. Wash the lids and pitcher in warm, soapy water. When washing the blade assemblies, use a dish-washing utensil with a handle to avoid direct hand contact with blades.
3. Handle blade assemblies with care to avoid contact with sharp edges. Rinse and air dry thoroughly.
4. Wipe the motor base clean with a damp cloth.

Using the Blender

⚠ WARNING

- Do not immerse the motor base into water or any other liquid.
- Remove utensils prior to processing. Failure to remove may cause the pitcher to be damaged or to shatter, which may cause personal injury.
- Never leave the appliance unattended while in use.
- Do not blend hot liquids in go-cups, doing so may cause excessive pressure build-up, resulting in risk of the user being burned
- Never insert your hands in the pitcher as the blades are sharp. Always use a spatula to dislodge food that has stuck to the sides of the pitcher.
- Never place go-cup blade attachment on blender without the go-cup.

IMPORTANT: Make sure that the motor base is plugged in for use.

It's best to add the liquid ingredients first and then the dry ingredients.

1. Review warning and caution statements above before proceeding to number 2.
2. Place the motor base on a clean, dry, level surface such as a counter or table top.
3. Align and lower the pitcher onto the motor base. Handle should be on the right side of on the motor base.
4. Rotate the blender pitcher clockwise until it clicks in place.
5. Add the ingredients to the pitcher, making sure that they do not exceed the highest measured marking line on the side of the pitcher.

NOTE: If you need to add additional ingredients while the appliance is processing, remove only the center piece of two-piece cover.

NOTE: When blending any kind of liquids, such as mixtures of any drinks or smoothies, do not exceed the "Max liquid" mark (64 oz.) on the pitcher.

6. Plug the power cord into the electrical outlet and press the On button.

IMPORTANT: As a safety feature, the motor will not work if the pitcher is not installed correctly.

7. Holding the lid by the handle, align the pour spouts on the lid and bowl. Push lid into bowl to form a suction seal.
8. Review warning and caution statements before proceeding.
9. Turn the knob to the desired speed. Then press the On button or Pulse button to power on the unit.
10. When you have reached your desired consistency, stop the appliance by returning the knob upright to the "0" position and wait for the blades to stop turning.
11. Turn the pitcher counter-clockwise to lift off the base.
12. Depending on the consistency of the contents in the container, remove the lid and use the spout to empty liquid contents.
13. Make sure that the unit is unplugged when not in use.

IMPORTANT: If the appliance overheats, a thermal switch will become activated and shut off the motor. To reset, unplug the appliance and let it cool down for approximately 15 minutes before using again.

Crushed Ice Mode

With the knob in any speed position you can hold the "On / Off" button down for three seconds to initiate an ice crushing mode.

NOTE: this is a set speed not influenced by the speed the knob was set to when holding the start button.

Care and Cleaning

⚠ WARNING

- Do not immerse the motor base into water or any other liquid.
- Make sure that the motor base is unplugged from the power source before inserting or removing any attachment and before cleaning.
- Handle the blade assemblies with care when washing, as the blades are sharp. Contact with the blades' edges can result in laceration.

Any other servicing should be performed by an authorized service representative.

1. Separate/remove all parts from each other.
2. Hand Washing: Wash the lid and pitcher in warm, soapy water. When washing the blades, use a dishwashing utensil with a handle to avoid direct hand contact with blades. Handle with care to avoid contact with blades. Rinse and air dry thoroughly.

Dishwasher Safe: The pitcher is dishwasher safe. The large outer lid is dishwasher safe on the top rack.

Not Dishwasher Safe: DO NOT put the smaller inner lid in the dishwasher. Hand wash only.

3. Wipe the motor base clean with a damp cloth.

GE Appliances Limited Warranty

LIMITED WARRANTY

If your appliance fails to operate properly while in use under normal household conditions within the warranty period, visit geappliances.com/contact for product care/maintenance self-help.

To initiate a warranty claim, please visit geappliances.com/contact, or call **1-800-GECARES**. Please have your model number and serial number available. Return and packing instruction information will be provided at that time

For the Period of:	GE Appliances Covers
One Year From the date of the original purchase	If the blender fails due to a defect in materials or workmanship, during the limited one-year warranty , GE Appliances will either repair your product, replace your product with a new or remanufactured product, or refund the purchase price of the product at GE Appliances sole discretion.

What GE Appliances Will Not Cover:

- Failure of the product if it is abused, misused, or used for other than the intended purpose or used commercially.
- Replacement of house fuses or resetting of circuit breakers.
- Damage caused after delivery.
- Damage to the product caused by accident, fire, floods or acts of God.
- Incidental or consequential damage caused by possible defects with this appliance.

EXCLUSION OF IMPLIED WARRANTIES

Your sole and exclusive remedies are product exchange or refund as provided in this Limited Warranty. Any implied warranties, including the implied warranties of merchantability or fitness for a particular purpose, are limited to one year or the shortest period allowed by law.

For sale in the 50 United States and the District of Columbia only: For US Customers: This limited warranty is extended to the original purchaser for products purchased for home use within the USA. Some states do not allow the exclusion or limitation of incidental or consequential damages. This warranty gives you specific legal rights, and you may also have other rights which vary from state to state. To know what your legal rights are, consult your local or state consumer affairs office or your state's Attorney General.

Warrantor: GE Appliances, a Haier company
Louisville, KY 40225

For Customers in Canada: This limited warranty is extended to the original purchaser and any succeeding owner for products purchased in Canada for home use within Canada. In-home warrant service will be provided in areas where it is available and deemed reasonable by Mabe to provide. For extended warranty information, visit geappliances.ca/purchase-extended-warranty

Warrantor Canada: MC Commercial, Burlington, Ontario, L7R 5B6

Staple your receipt here. Proof of the original purchase date is needed to obtain service under the warranty.

Consumer Support

Service and Registration

Register your new appliance on-line at your convenience! Timely product registration will allow for enhanced communication and prompt service under the terms of your warranty, should the need arise.

Register your appliance at **GEAppliances.com/register**.

In Canada, **service.geappliances.ca/servicio/en_CA/**

Contact Us

If you are not satisfied with the service you receive from GE Appliances, contact us on our Website with all the details including your phone number, or write to:

In the US: General Manager, Customer Relations | GE Appliances, Appliance Park | Louisville, KY 40225

GEAppliances.com/contact

In Canada: Director, Consumer Relations, MC Commercial Inc. | Suite 310, 1 Factory Lane | Moncton, N.B. E1C 9M3

GEAppliances.ca/en/contact-us



MÉLANGEUR

CONSIGNES DE SÉCURITÉ IMPORTANTES	3
PIECES COMPRISES	4
ENTRÉE EN MATIÈRE	6
UTILISATION DU MÉLANGEUR .	6
ENTRETIEN ET NETTOYAGE ...	7
GARANTIE LIMITÉE	9
SOUTIEN AU CONSOMMATEUR	10

MANUEL D'UTILISATION

G8BJAASSPSS
G8BCAASSPSS
G8BAAASSRSS

ENGLISH/FRANÇAIS

Inscrivez les numéros de modèle et de série
ici :

No de modèle _____

No de série _____

Vous trouverez ces numéros sur l'étiquette
à l'arrière de l'appareil.

NOUS VOUS REMERCIONS D'INTÉGRER GE APPLIANCES À VOTRE DEMEURE.

Que vous ayez grandi avec des électroménagers GE ou qu'il s'agisse de votre première acquisition, nous sommes heureux de vous accueillir dans notre famille.

Nous sommes fiers du savoir-faire, de l'innovation et du design qui constituent chaque électroménager GE, et nous pensons que vous le serez aussi. Nous vous rappelons que l'enregistrement de votre électroménager vous assure de recevoir des renseignements importants sur le produit et la garantie lorsque vous en avez besoin.



GE APPLIANCES

CONSIGNES DE SÉCURITÉ IMPORTANTES

LISEZ TOUTES LES INSTRUCTIONS AVANT D'UTILISER L'APPAREIL

▲ AVERTISSEMENT

Lorsque vous utilisez des appareils électriques, suivez les précautions de sécurité de base, y compris les suivantes.

- Pour vous protéger contre les chocs électriques, ne submergez pas l'appareil et ne laissez pas le cordon d'alimentation entrer en contact avec de l'eau ou tout autre liquide.
- Cet appareil n'est pas destiné à être utilisé par des personnes (y compris des enfants) ayant des capacités physiques, sensorielles ou mentales réduites, ou un manque d'expérience et de connaissances, à moins qu'elles ne soient étroitement surveillées et instruites concernant l'utilisation de l'appareil par une personne responsable de leur sécurité. Une surveillance étroite est nécessaire lorsqu'un appareil est utilisé par ou à proximité d'enfants. Les enfants doivent être surveillés pour s'assurer qu'ils ne jouent pas avec l'appareil
- Éteignez l'appareil, puis débranchez-le de la prise lorsqu'il n'est pas utilisé, avant de mettre ou de retirer des pièces et avant de le nettoyer. Évitez tout contact accidentel avec les lames ou les pièces mobiles.
- Évitez tout contact avec les pièces mobiles
- NE PAS faire fonctionner un appareil dont le cordon ou la fiche sont endommagés, ou après un dysfonctionnement de l'appareil, une chute ou des dommages de quelque manière que ce soit. Contactez le fabricant au numéro de téléphone de son service client pour obtenir des informations sur l'examen, la réparation ou le réglage.
- L'utilisation d'accessoires ou d'accessoires, y compris des bocal, non recommandés par le fabricant peut entraîner un incendie, un choc électrique ou des blessures.
- Ne l'utilisez pas à l'extérieur.
- Ne laissez pas le cordon pendre du bord de la table ou du comptoir.
- Ne laissez pas le cordon entrer en contact avec une surface chaude, y compris le poêle.
- Gardez les mains, les cheveux, les vêtements et les ustensiles hors du contenant pendant le mélange afin de réduire le risque de blessures graves ou d'endommager le mélangeur. Un grattoir peut être utilisé mais uniquement lorsque l'appareil ne fonctionne pas.
- Les lames de coupe sont très tranchantes. Manipulez soigneusement.
- Pour réduire le risque de blessure, ne placez jamais les lames de l'ensemble de coupe sur la base sans le récipient correctement fixé.
- Faites toujours fonctionner le mélangeur avec le couvercle en place.
- Pour réduire les risques de blessures, NE JAMAIS faire fonctionner l'appareil sans le couvercle en place; N'essayez PAS de neutraliser le mécanisme de verrouillage; assurez-vous que l'accessoire est correctement installé avant de faire fonctionner l'appareil.
- Ne mélangez pas de liquides chauds dans des gobelets, cela pourrait provoquer une accumulation excessive de pression, entraînant un risque de brûlure pour l'utilisateur.
- Lorsque vous mélangez des liquides chauds dans le pichet, retirez la pièce centrale du couvercle en deux parties. Le non-respect de cette consigne peut entraîner une augmentation excessive de la pression, entraînant un risque de brûlure de l'utilisateur.
- Lors du mélange de liquides chauds dans le pichet. Ne remplissez pas le récipient au-delà du marqueur 4 tasses. Commencez toujours le traitement à la vitesse la plus basse. Éloignez les mains et la peau exposée de l'ouverture du couvercle central pour éviter les brûlures éventuelles causées par tout liquide ou vapeur pouvant sortir de l'ouverture pendant le mélange.
- Ne laissez jamais un appareil sans surveillance lorsqu'il est en cours d'utilisation.
- Les accessoires de l'appareil ne sont pas destinés à être utilisés au micro-ondes car cela pourrait endommager les accessoires.
- N'abusez PAS du cordon d'alimentation. Ne portez jamais l'appareil par le cordon d'alimentation et ne tirez jamais dessus pour le débrancher de la prise électrique; saisissez plutôt la fiche et tirez pour la déconnecter.
- N'essayez PAS d'affûter les lames.
- N'utilisez PAS l'appareil si les lames sont pliées ou endommagées.
- NE PAS utiliser cet appareil sur ou à proximité de surfaces chaudes (comme un brûleur à gaz ou électrique ou dans un four chauffé).
- NE PAS retirer le récipient de la base du moteur pendant que l'appareil est en marche.
- NE PAS exposer les contenants à des changements de température extrêmes.
- NE PAS trop remplir.
- CE PRODUIT EST DESTINÉ À UN USAGE DOMESTIQUE UNIQUEMENT. N'utilisez pas cet appareil pour autre chose que son utilisation prévue.
- Pour réduire le risque de choc électrique, cet appareil est équipé d'une fiche polarisée (une lame est plus large que l'autre). Cette fiche ne s'insère dans une prise polarisée que dans un seul sens. Si la fiche ne s'insère pas complètement dans la prise, inversez la fiche. Si elle ne rentre toujours pas, contactez un électricien qualifié pour installer la prise appropriée. NE modifiez en aucun cas la fiche.
- L'utilisation de rallonges n'est pas recommandée avec ce produit.
- Ne placez jamais l'accessoire de lame go-cup sur le mélangeur sans le go-cup.
- Pour débrancher, saisissez la fiche et tirez sur la prise. Ne tirez jamais sur le cordon d'alimentation.

▲ AVERTISSEMENT



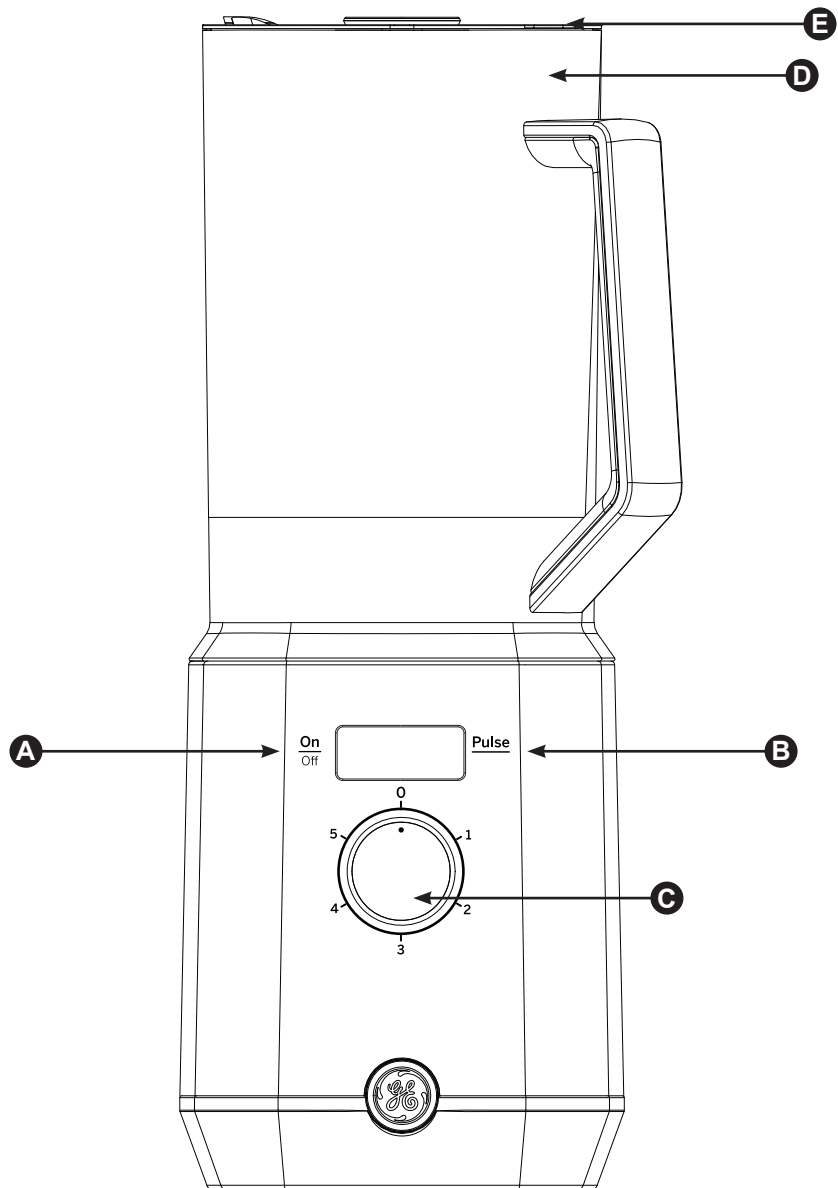
RISQUE D'INCENDIE OU DE DÉCHARGES ÉLECTRIQUES

- POUR RÉDUIRE LE RISQUE D'INCENDIE OU DE DÉCHARGES ÉLECTRIQUES, N'ENLEVEZ PAS LE BOÎTIER (OU LA PARTIE ARRIÈRE).
- Ne tentez pas de réparer ou de remplacer une pièce de votre mélangeur à moins que cela soit spécifiquement recommandé dans le présent manuel. Toutes les autres réparations doivent être réalisées par du personnel autorisé.

CONSERVEZ CES INSTRUCTIONS

Pièces Comprises

REMARQUE: Uniquement inclus avec le modèle G8BJAASSPSS



A Bouton marche / arrêt

B Bouton de commande intermittente

C Bouton de commande

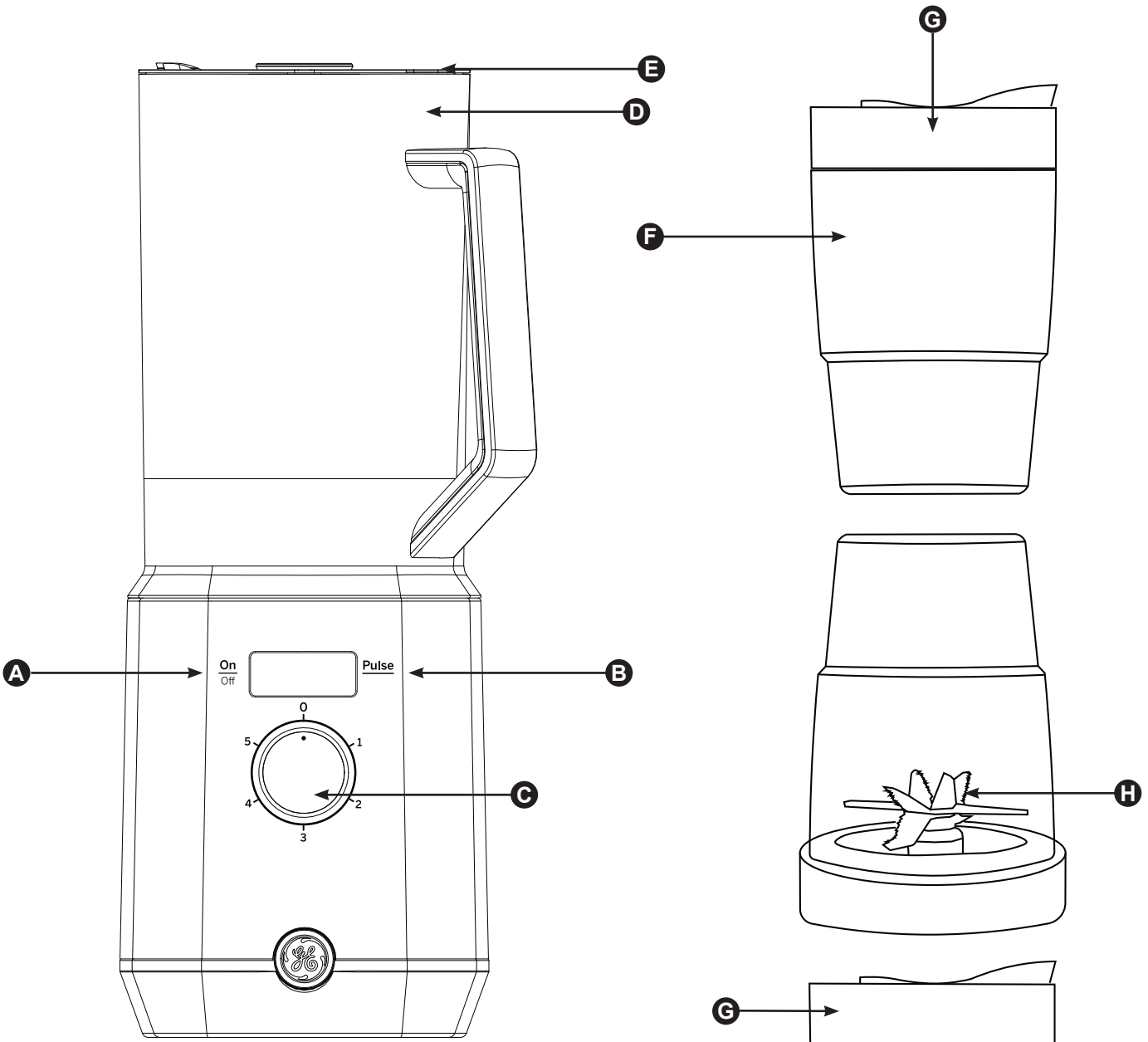
D Contenant de mélangeur

E Couverture en deux pièces / Couvercle

Entrée En Matière

REMARQUE: Uniquement inclus avec les modèles G8BAAASSRSS et G8BCAASSPSS

REMARQUE: l'apparence peut varier légèrement selon le modèle



A Bouton marche / arrêt

B Bouton de commande intermittente

C Bouton de commande

D Contenant de mélangeur

E Couverture en deux pièces / Couvercle

F Tasse à usage rapide de mélangeur

G Couvercle de tasse à usage rapide de mélangeur

H Accessoire à lame de tasse à usage rapide de mélangeur

Entrée En Matière

Avant la première utilisation

Lisez les mesures de sécurité importantes à la page 3.

▲ AVERTISSEMENT

- N'immergez pas la base du moteur dans l'eau ou tout autre liquide.
- Manipulez avec soin lors du lavage, car les lames sont tranchantes.
- N'essayez PAS de faire fonctionner l'appareil sans le couvercle.
- Les accessoires de l'appareil ne sont pas destinés à être utilisés dans le four à micro-ondes car cela peut endommager les accessoires.

IMPORTANT: assurez-vous que la base du moteur est branchée pour l'utilisation.

IMPORTANT: ne faites jamais fonctionner l'appareil à vide.

1. Retirez tous les matériaux d'emballage et les étiquettes de l'appareil. Séparez / retirez toutes les pièces les unes des autres.
2. Lavez les couvercles et le pichet dans de l'eau chaude savonneuse. Lors du lavage des ensembles de lames, utilisez un ustensile à vaisselle avec une poignée pour éviter tout contact direct des mains avec les lames.
3. Manipulez les ensembles de lames avec soin pour éviter tout contact avec des arêtes vives. Rincer et sécher soigneusement à l'air.
4. Essuyez la base du moteur avec un chiffon humide.

Utilisation Du Mélangeur

▲ AVERTISSEMENT

- N'immergez pas la base du moteur dans l'eau ou tout autre liquide.
- Retirez les ustensiles avant le traitement. Si vous ne le retirez pas, le pichet peut être endommagé ou se briser, ce qui peut entraîner des blessures.
- Ne laissez jamais l'appareil sans surveillance pendant son utilisation.
- Ne mélangez pas de liquides chauds dans des gobelets, cela pourrait provoquer une accumulation excessive de pression, entraînant un risque de brûlure pour l'utilisateur.
- N'insérez jamais vos mains dans le pichet car les lames sont tranchantes. Utilisez toujours une spatule pour déloger les aliments collés sur les côtés du pichet.
- Ne placez jamais l'accessoire de lame go-cup sur le mélangeur sans le go-cup.

IMPORTANT : Assurez-vous que la base du moteur est branchée pour l'utilisation.

Il est préférable de commencer par ajouter les ingrédients liquides, puis les ingrédients secs.

1. Examinez les énoncés d'avertissement et de mise en garde avant de passer au numéro 2.
2. Placez la base du moteur sur une surface propre, sèche et au niveau, comme un comptoir ou la surface d'une table.
3. Alignez et enfoncez le contenant sur la base du moteur. La poignée doit se trouver du côté droit de la base du moteur.
4. Tournez le contenant du mélangeur dans le sens horaire jusqu'à ce qu'il s'enclenche en place,
5. Ajoutez les ingrédients dans le contenant en vous assurant qu'ils ne dépassent pas la ligne de mesure la plus haute indiquée sur le côté du contenant.

REMARQUE : Si vous devez ajouter des ingrédients supplémentaires pendant le traitement de l'appareil, retirez uniquement la pièce centrale du couvercle en deux parties.

REMARQUE : Lorsque vous mélangez n'importe quel type de liquides, comme des mélanges de n'importe quelle boisson ou smoothie, ne dépassez pas la marque « Max liquid » (64 onces) inscrite sur le contenant.

6. Branchez le cordon d'alimentation dans la prise électrique et appuyez sur le bouton de marche.
- IMPORTANT :** Comme mesure de sécurité, le moteur ne fonctionnera pas si le récipient n'est pas installé correctement.
7. En tenant le couvercle par la poignée, alignez le bec verseur sur le couvercle et le bol. Poussez le couvercle dans le bol pour former un joint par aspiration.
8. Examinez les énoncés d'avertissement et de mise en garde avant de continuer.
9. Tournez le bouton à la vitesse souhaitée. Puis, appuyez sur le bouton On (marche) ou Pulse (fonctionnement intermittent) pour mettre l'appareil en marche.
10. Lorsque vous avez obtenu la consistance souhaitée, arrêtez l'appareil en remettant le bouton vers le haut en position d'arrêt et attendez que les lames cessent de tourner.
11. Tournez le contenant dans le sens contraire des aiguilles d'une montre pour soulever la base.
12. Selon la consistance du contenu du récipient, retirez le couvercle et utilisez le bec pour vider le contenu liquide.
13. Lorsque vous n'utilisez pas l'appareil, débranchez-le.

Entretien et nettoyage

▲ AVERTISSEMENT

- N'immergez pas la base du moteur dans l'eau ou tout autre liquide.
- Assurez-vous que la base du moteur est débranchée de la source d'alimentation avant d'insérer ou de retirer tout accessoire et avant le nettoyage.
- Manipulez les ensembles de lames avec soin lors du lavage, car les lames sont tranchantes. Le contact avec les bords des lames peut entraîner une lacération.

Tout autre entretien doit être effectué par un représentant de service autorisé.

1. Séparez / retirez toutes les pièces les unes des autres.
2. Lavage à la main: Lavez le couvercle et le pichet dans de l'eau chaude savonneuse. Lors du lavage des lames, utilisez un ustensile à vaisselle avec une poignée pour éviter tout contact direct des mains avec les lames. Manipulez avec soin pour éviter tout contact avec les lames. Rincer et sécher soigneusement à l'air.

Lavable au lave-vaisselle: Le grand couvercle extérieur va au lave-vaisselle sur le panier supérieur. Le pichet va au lave-vaisselle.

Ne va pas au lave-vaisselle: NE PAS mettre le petit couvercle intérieur au lave-vaisselle. Lavage à la main seulement.

3. Essuyez la base du moteur avec un chiffon humide.

Garantie limitée de GE Appliances

GARANTIE LIMITÉE

GEAppliances.com

Si votre appareil ne fonctionne pas correctement pendant son utilisation dans des conditions domestiques normales pendant la période de garantie, visitez geappliances.com/contact pour une assistance / entretien du produit.

Pour lancer une réclamation au titre de la garantie, veuillez visiter geappliances.com/contact ou appeler le 1-800-GECARES. Veuillez avoir votre numéro de modèle et votre numéro de série à portée de main. Les informations relatives au retour et aux instructions d'emballage seront fournies à ce moment

Durant la période de:	GE Appliances appliquera la garantie suivante
Un (1) an À partir de la date d'achat initial	Si le mélangeur présente une défaillance en raison de vices de matière ou de fabrication pendant la garantie limitée de un (1) an, GE Appliances procédera, à sa seule discrétion, à la réparation de votre produit, au remplacement de votre produit par un neuf, à sa remise à neuf, ou encore au remboursement de son prix d'achat.

Ce que GE Appliances ne garantit pas :

- La défaillance du produit en raison d'un usage abusif, d'une mauvaise utilisation, ou s'il est utilisé à des fins commerciales ou autres que celles prévues.
- Le remplacement des fusibles du domicile ou le réarmement des disjoncteurs.
- Les dommages survenus après la livraison.
- Tout dommage occasionné par un accident, un incendie, une inondation ou une autre catastrophe naturelle.
 - Les dommages accessoires ou indirects causés par d'éventuelles déficiences de cet électroménager.

EXCLUSION DES GARANTIES IMPLICITES

Votre seul recours exclusif consiste en l'échange du produit ou son remboursement en vertu de cette garantie limitée. Toute garantie implicite, y compris les garanties implicites relatives à la qualité marchande ou à l'adéquation à un usage particulier, se limitera à une période de un (1) an ou à la période la plus courte prescrite par la loi.

Pour la vente dans les 50 États et le district de Columbia des États-Unis seulement : Clients des États-Unis : Cette garantie limitée est étendue à l'acheteur d'origine pour les produits achetés relativement à une utilisation domestique à l'intérieur des États-Unis.

Certains États ou provinces ne permettent pas l'exclusion ou la restriction des dommages accessoires ou indirects. Certains droits particuliers vous sont dévolus en vertu de la présente garantie et peuvent s'accompagner d'autres droits qui varient selon votre lieu de résidence. Pour connaître la nature exacte de vos droits, consultez l'organisme de protection du consommateur de votre région, ou encore le bureau du procureur général de l'État.

**Garant : GE Appliances, une compagnie Haier
Louisville, KY 40225**

Pour les clients au Canada: Cette garantie limitée est étendue à l'acheteur original et à tout propriétaire suivant pour les produits achetés au Canada pour un usage domestique au Canada. Le service de mandat à domicile sera fourni dans les zones où il est disponible et jugé raisonnable par Mabe. Pour plus d'informations sur la garantie prolongée, visitez geappliances.ca/purchase-extended-warranty

Garant Canada: MC Commercial, Burlington, Ontario, L7R 5B6

Brochez votre reçu ici. Pour obtenir le service sous garantie, vous devrez fournir la preuve de l'achat original.

Soutien au consommateur

Service et enregistrement

Enregistrez votre nouvel électroménager en ligne à votre convenance! L'enregistrement de votre produit dans les plus brefs délais permet une meilleure communication et un service rapide en vertu de votre garantie, le cas échéant.

Enregistrez votre électroménager sur GEAppliances.com/register.

Au Canada, service.geappliances.ca/servicio/fr_CA/

Communiquez avec nous

Si vous n'êtes pas satisfait du service reçu de GE Appliances, contactez-nous via notre site Web avec tous les détails, y compris votre numéro de téléphone, ou encore écrivez à :

Aux États-Unis : General Manager, Customer Relations | GE Appliances, Appliance Park | Louisville, KY 40225
GEAppliances.com/contact

Au Canada : Directeur, Relations avec le consommateur, MC Commercial Inc. | Suite 310, 1 Factory Lane | Moncton, N.B. E1C 9M3 GEAppliances.ca/en/contact-us